

THIS DRAWING IS UNPUBLISHED. RELEASED FOR PUBLICATION, 19
 © COPYRIGHT 19 BY AMP INCORPORATED. ALL INTERNATIONAL RIGHTS RESERVED.

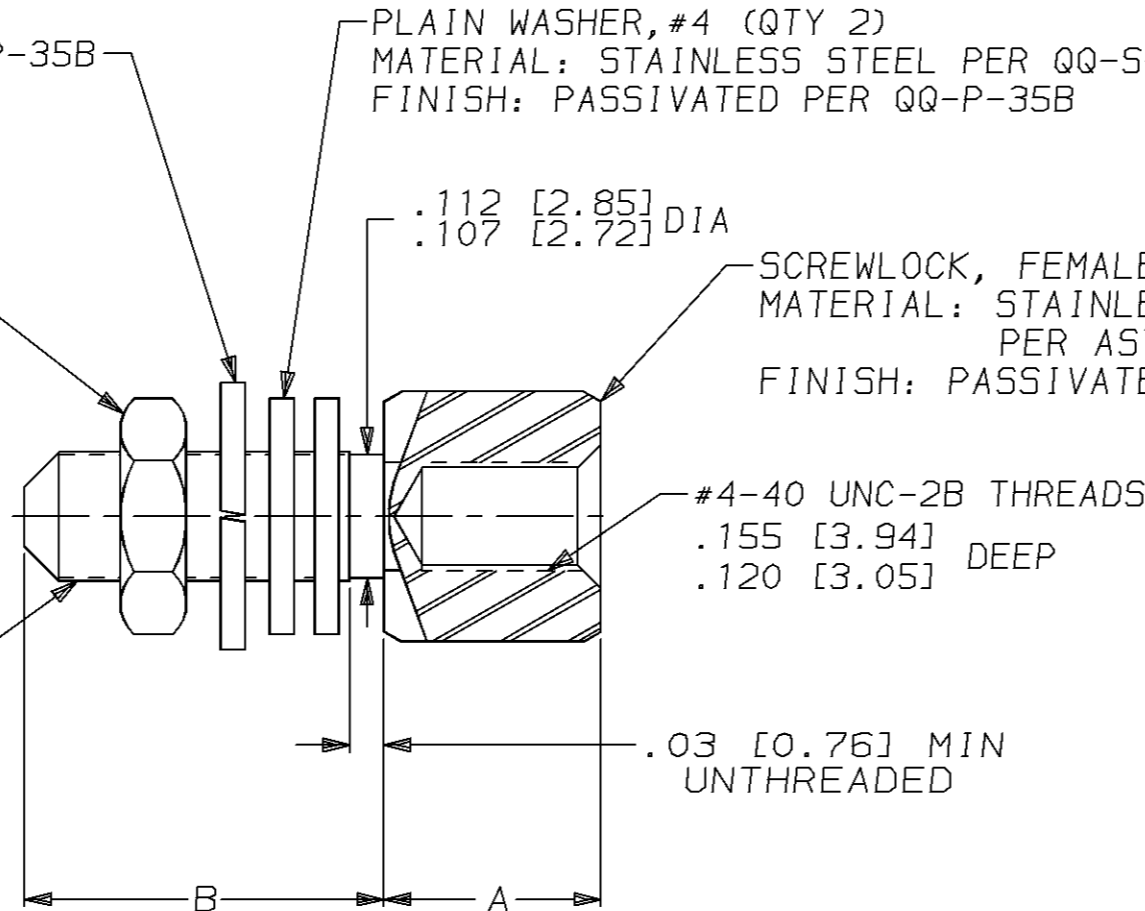
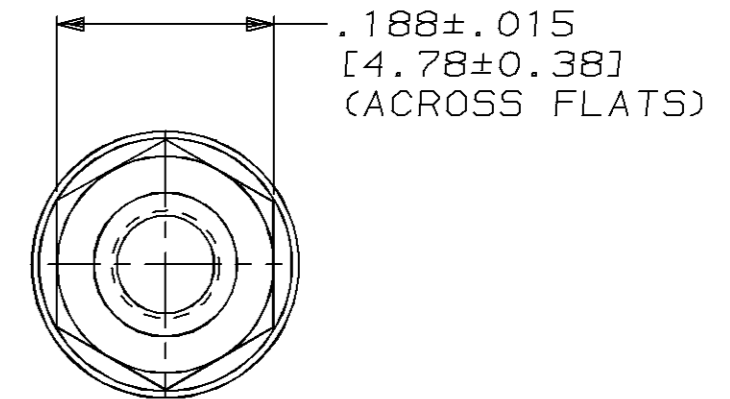
| PROD 5066 CODE | LOC DF | DIST DO | P | F | REVISIONS | | | | |
|----------------------|-----------|------------|---|---|-----------|-----|-----------------------------|----------|------|
| | | | | | ZONE | LTR | DESCRIPTION | DATE | APPD |
| | | | | | C | | REV & REDRWN PER DF-6413 JL | 1-6-93 | FK |
| | | | | | D | | REV PER DF-7357 AJG | 3-22-93 | RG |
| | | | | | E | | REV PER 0600-1736-94 TT | 05-10-94 | FK |
| | | | | | F | | REV PER 0600-1831-94 TT | 05-10-94 | FK |

LOCKWASHER
 MATERIAL: STAINLESS STEEL
 PER QQ-S-766
 FINISH: PASSIVATED PER QQ-P-35B

PLAIN WASHER, #4 (QTY 2)
 MATERIAL: STAINLESS STEEL PER QQ-S-766
 FINISH: PASSIVATED PER QQ-P-35B

HEX NUT
 MATERIAL: STAINLESS STEEL
 PER ASTM-A-582
 FINISH: PASSIVATED PER QQ-P-35B

SCREWLOCK, FEMALE
 MATERIAL: STAINLESS STEEL
 PER ASTM-A-582
 FINISH: PASSIVATED PER QQ-P-35B



1. PACKAGED UNASSEMBLED.
2. EACH KIT HAS TWO COMPLETE ASSEMBLIES AS SHOWN ABOVE.
3. WHEN A CLINCH TAB TYPE CONNECTOR IS FRONT MOUNTED, ONE FLAT WASHER SHALL BE USED AS A SPACER BETWEEN THE MOUNTING SURFACE AND THE CONNECTOR.

THIS DRAWING IS A CONTROLLED DOCUMENT FOR AMP INCORPORATED. IT IS SUBJECT TO CHANGE AND THE CONTROLLING ENGINEERING ORGANIZATION SHOULD BE CONTACTED FOR THE LATEST REVISION.

| | | | |
|--|---|---|----------|
| .560 [14.22] | .223 [5.66] | - | 212447-2 |
| .312 [7.92] | .188 [4.78] | M24308/26-1P | 212447-1 |
| B ±.015 [0.38] | A ±.015 [0.38] | MILITARY PART NO | PART NO |
| DO NOT SCALE PRINT. UNLESS SPECIFIED DIMENSIONS IN INCHES [mm] TOLERANCES ON: 2 PLC DEC ± - 3 PLC DEC ± - ANGLES ± - | DR 1-6-93 J.LINDERMANN CHK 1-8-93 F.KINSEY APPD 1-8-93 F.KINSEY APPD 1-8-93 F.KINSEY PRODUCT SPEC - APPLICATION SPEC - WEIGHT - | AMP AMP Incorporated Harrisburg, PA 17105-3608 NAME KIT, SCREWLOCK ASSEMBLY, FEMALE STAINLESS STEEL, AMPLIMITE SIZE B CAGE CODE 00779 DRAWING NO C-212447 SCALE 6:1 SHEET 1 OF 1 | |
| MATERIAL SEE CALLOUTS | FINISH SEE CALLOUTS | | |